

# 22LR PRACTICE KIT

PER PISTOLE BERETTA SERIE 92  
FOR BERETTA 92 SERIES PISTOLS  
POUR PISTOLETS BERETTA SERIE 92



Allegato al Manuale di Istruzione delle pistole serie 92  
Enclosed to the Instruction Manual of 92 series pistols  
Annexe au Mode d'Emploi des pistolets série 92

 BERETTA

Le illustrazioni e descrizioni di questo opuscolo si intendono fornite a titolo indicativo. La Casa si riserva pertanto il diritto di apportare ai suoi modelli, in qualsiasi momento e senza preavviso, quelle modifiche che ritenesse utili per migliorarli o per qualsiasi esigenza di carattere costruttivo e commerciale.

The illustrations and descriptions given in this brochure are intended as a general guide only, and must not be taken as binding. The Company, therefore, reserves the right to make, at any moment and without notice, any changes it thinks necessary to improve its models or to meet any requirements of manufacturing or commercial nature.

Les illustrations et les descriptions contenues dans ce prospectus ne sont données qu'à titre indicatif. La Maison se réserve le droit de modifier, à tout moment et sans préavis, ses modèles pour les améliorer ou pour n'importe quelle exigence de caractère constructif et commercial.

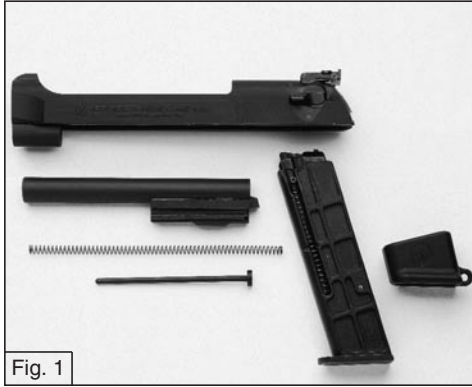


Fig. 1



Fig. 2



Fig. 3



Fig. 4



Fig. 5

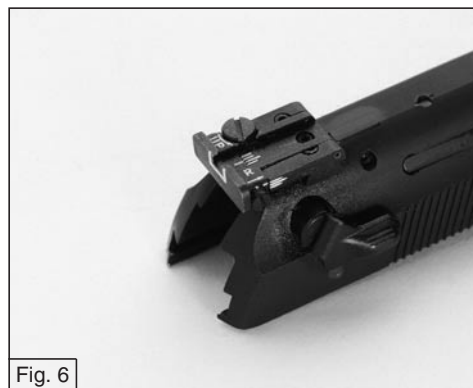


Fig. 6

## ENGLISH

Illustrations on page 3

**READ THIS MANUAL CAREFULLY BEFORE USING THE FIREARM. ALWAYS KEEP THIS MANUAL WITH YOUR FIREARM. INCLUDE IT WITH THE PISTOL WHEN IT CHANGES OWNERSHIP OR WHEN IT IS LOANED OR PRESENTED TO ANOTHER PERSON. THIS MANUAL SHOULD ALWAYS BE ACCOMPANIED BY THE INSTRUCTION MANUAL OF THE BASE PISTOL (SERIES 92).**

**NOTICE:** The Manufacturer and/or its Local Official Distributors assume no responsibility for product malfunction or for physical injury or property damage resulting in whole or in part from criminal or negligent use of the product, improper or careless handling, unauthorized modifications, use of defective, improper, hand-loaded, reloaded or remanufactured ammunition, customer abuse or neglect of the product, or other influences beyond manufacturer's direct and immediate control.

**WARNING:** Always ensure that the safety is fully engaged until ready to fire. A safety is fully engaged only when the safety can move no further into the safe position. A safety which is not fully engaged will not prevent firearm discharge.

**WARNING:** ALL FIREARMS HAVE LETHAL POTENTIAL. READ THE BASIC SAFETY RULES CAREFULLY AND UNDERSTAND THEM FULLY BEFORE ATTEMPTING TO USE THIS FIREARM.

In addition to the Basic Safety Rules, there are other Safety Rules pertaining to the assembly, disassembly and maintenance of this firearm, located throughout this manual.

**WARNING:** CAREFULLY READ THIS ENTIRE MANUAL AND THE LOADING, UNLOADING AND USE OPERATIONS IN THE MANUAL OF THE 92 PISTOLS SERIES BEFORE USING THIS FIREARM. MAKE SURE THAT ANY PERSON USING OR HAVING ACCESS TO THIS FIREARM READS AND UNDERSTANDS ALL OF THIS MANUAL AND THE MANUAL OF 92 PISTOLS PRIOR TO USE OR ACCESS.

# CONTENTS

	Page
<b>BASIC SAFETY RULES</b>	6
DESCRIPTION	10
HOW THE FUNCTIONING AND THE CHARACTERISTICS OF THE PRACTICE KIT COMPARE TO YOUR 92 BERETTA PISTOL	11
ASSEMBLY AND DISASSEMBLY	12
HOW TO ADJUST THE REAR SIGH (only for models supplied with adjustable rear sight)	12
MAINTENANCE	13
DATA AND FEATURES	14
WARRANTY AND EXTENSION OF THE WARRANTY REPAIR PERIOD	14

## BASIC SAFETY RULES

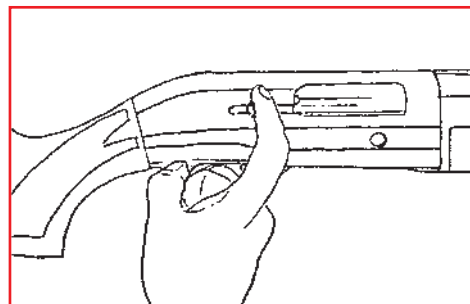
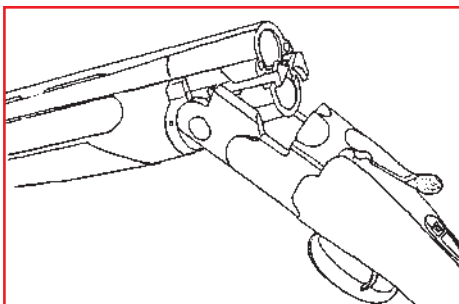
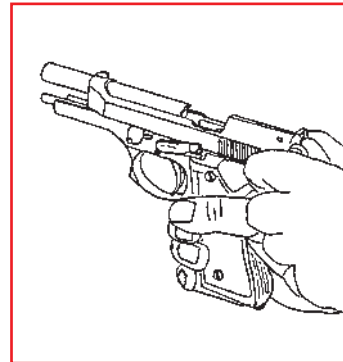
### 1. NEVER POINT A FIREARM AT SOMETHING THAT IS NOT SAFE TO SHOOT.

Never let the muzzle of a firearm point at any part of your body or at another person. This is especially important when loading or unloading the firearm. When you are shooting at a target, know what is behind it. Some bullets can travel over a mile. If you miss your target or if the bullet penetrates the target, it is your responsibility to ensure that the shot does not cause unintended injury or damage.



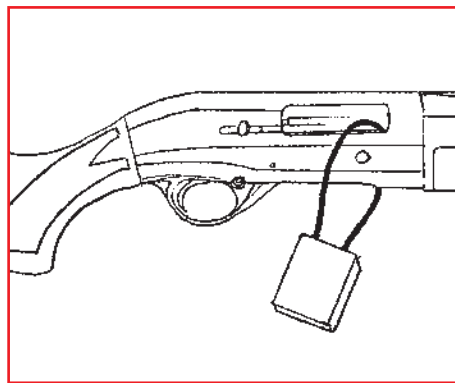
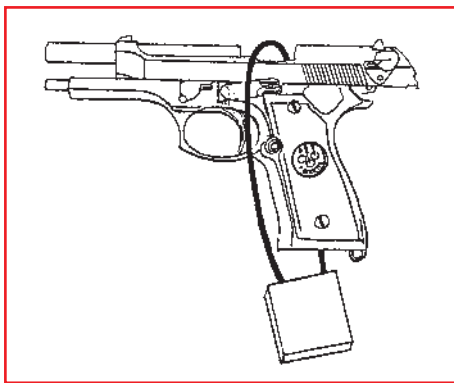
### 2. ALWAYS TREAT A FIREARM AS IF IT WERE LOADED.

Never assume that a firearm is unloaded. **The only certain way to ensure that a firearm has the chamber empty is to open the chamber and visually examine the inside to see if a round is present. Removing the magazine will not guarantee that a firearm is unloaded or cannot fire.** Shotguns and rifles can be checked by cycling or removing all rounds and by then opening and inspecting the chamber and the magazine tube for any remaining rounds.



**3. STORE YOUR FIREARM SO THAT CHILDREN CANNOT GAIN ACCESS TO IT.**

It is your responsibility to insure that children under the age of 18 or other unauthorized persons do not gain access to your firearm. **To reduce the risk of accidents involving children, unload your firearm, lock it and store the ammunition in a separate locked location.** Please note that devices intended to prevent accidents - for example, cable locks, chamber plugs, etc, - may not prevent use or misuse of your firearm by a determined person. Steel gun safes may be more appropriate to reduce the likelihood of intentional misuse of a firearm by an unauthorized child or person.



**4. NEVER SHOOT AT WATER OR AT A HARD SURFACE.**

Shooting at the surface of water or at a rock or other hard surface increases the chance of ricochets or fragmentation of the bullet or shot, which can result in the projectile striking an unintended or peripheral target.



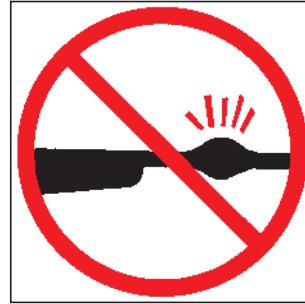
**5. KNOW THE SAFETY FEATURES OF THE FIREARM YOU ARE USING, BUT REMEMBER: SAFETY DEVICES ARE NOT A SUBSTITUTE FOR SAFE HANDLING PROCEDURES.**

Never rely solely on a safety device to prevent an accident. It is imperative that you know and use the safety features of the particular firearm you are handling, but accidents can best be prevented by following the safe handling procedures described in these safety rules and elsewhere in the product manual. To further familiarize yourself with the proper use of this or other firearms, take a Firearms Safety Course taught by an expert in firearms use and safety procedures.

## 6. PROPERLY MAINTAIN YOUR FIREARM.

Store and carry your firearm so that dirt or lint does not accumulate in the working parts. Clean and oil your firearm, following the instructions provided in this manual, after each use to prevent corrosion, damage to the barrel or accumulation of impurities which can prevent use of the gun in an emergency. Always check the barrel prior to loading to ensure that it is clean and free from obstructions. **Firing against an obstruction can rupture the barrel and injure yourself or others nearby.**

In case you hear an unusual noise when shooting, stop firing immediately, engage the manual safety and unload the firearm. Make sure the chamber and the barrel are free from any obstruction or possible bullet blocked inside the barrel due to defective or improper ammunition.



## 7. USE PROPER AMMUNITION.

Only use factory-loaded, new ammunition manufactured to industry specifications: CIP (Europe and elsewhere), SAAMI (U.S.A.). Be certain that each round you use is in the proper caliber or gauge and type for the particular firearm. The caliber or gauge of the firearm is clearly marked on the barrels of shotguns and on the slide or barrel of pistols. The use of reloaded or remanufactured ammunition can increase the likelihood of excessive cartridge pressures, casehead ruptures or other defects in the ammunition which can cause damage to your firearm and injury to yourself or others nearby.

## 8. ALWAYS WEAR PROTECTIVE GLASSES AND EARPLUGS WHEN SHOOTING.

The chance that gas, gunpowder or metal fragments will blow back and injure a shooter who is firing a gun is rare, but the injury that can be sustained in such circumstances is severe, including the possible loss of eyesight. A shooter must always wear impact resistant shooting glasses when firing any firearm. Earplugs help reduce the chance of hearing damage from shooting.





**9. NEVER CLIMB A TREE, FENCE OR OBSTRUCTION WITH A LOADED FIREARM.**

Open and empty the chamber of your firearm and engage the manual safety before climbing or descending a tree or before climbing a fence or jumping over a ditch or obstruction. Never pull or push a loaded firearm toward yourself or another person.



**10. AVOID ALCOHOLIC BEVERAGES OR JUDGMENT OR REFLEX IMPAIRING MEDICATION WHEN SHOOTING.**

Do not drink and shoot. If you take medication that can impair motor reactions or judgment, do not handle a firearm while you are under the influence of the medication.



**11. NEVER TRANSPORT A LOADED FIREARM.**

Unload a firearm before putting it in a vehicle (chamber empty, magazine empty). Hunters and target shooters should load their firearm only at their destination. If you carry a firearm for self-protection, leaving the chamber unloaded can reduce the chance of accidental discharge.



**12. LEAD WARNING.**

Discharging firearms in poorly ventilated areas, cleaning firearms or handling ammunition may result in exposure to lead and other substances known to cause birth defects, reproductive harm, and other serious physical injury. Have adequate ventilation at all times. Wash hands thoroughly after exposure.

## DESCRIPTION

The 22LR Practice Kit for the Beretta 92 series pistols is perfect for target practice and “plinking” with these full-size, large-caliber, pistols. The Kit includes a steel 22LR caliber barrel, lightweight aluminum-alloy slide with FS-type safety and firing pin block device, recoil spring guide, recoil spring, magazine loader and one techno-polymer 10-round magazine.

**NOTICE:** The installation and use of the Practice Kit are subject to the laws governing firearms that may vary from country to country. Always ensure that you are complying with local, state and federal laws before installing the Practice Kit.

**WARNING:** The Practice Kit can be installed on all “standard” frame Beretta pistols - Models 92, 92S, 92SB, 92F, 92FS, 98F, 98FS and 96, as well as Models 92G, 96G, 92D, 96D, 98F (cal. 7.65 Para). This includes the Target, Brigadier, Centurion and Elite versions.

**The Practice Kit cannot be used on the Compact L and Compact L “Type M” versions that require shorter slides and frames, as well as the Combat, Stock and Billennium versions that feature a different safety lever system (frame mounted).**

**WARNING:** In order to permit the use of the pistol in emergency situations, even in the case of involuntary dropping or loss of the magazine, these models are NOT provided with a magazine safety. They are therefore capable of firing, if a round is chambered, even if the magazine has not been inserted or if it has been removed or if it has been dislodged from its seat.

**WARNING:** THE MOUNTING OF THE PRACTICE KIT ON D MODELS (DOUBLE ACTION ONLY) IS POSSIBLE BUT THE HAMMER DECOCK FUNCTION IS ELIMINATED. HOWEVER, THE MANUAL SAFETY IS STILL EFFECTIVE (TRIGGER BAR DISCONNECT AND ROTATING FIRING PIN STRIKER). THEREFORE THE D MODELS WITH MOUNTED PRACTICE KIT AND SAFETY ENGAGED WILL NOT FIRE.

**NOTICE:** On D models the hammer never stays cocked, following the slide forward to come to rest in the uncocked position. Do not manually pull the hammer to the rear and release, doing so will damage the firing pin and firing pin block mechanism.

## HOW THE FUNCTIONING AND THE CHARACTERISTICS OF THE PRACTICE KIT COMPARE TO YOUR 92 BERETTA PISTOL

**NOTICE:** The photographs of the Practice Kit are on page 3.

The SLIDE is made of a lightweight aluminum alloy. The FS-style manual safety can also be operated to manually decock the pistol. The automatic and visible firing-pin block mechanism is also present. The slide features a fixed-blade front sight and the rear sight can be fully adjustable or, on request, notched bar, dovetailed to slide.

The BARREL, chambered for the 22LR cartridge, does not have a locking block and the locking block plunger.

The Practice Kit features a BLOW-BACK LOCKING SYSTEM. Due to the relatively low working pressure of the 22LR caliber, the Practice Kit does not require a locked-breech.

TECHNO-POLYMER MAGAZINE. The 22LR magazine has a 10-shot capacity. The external part is made of techno-polymer, while the internal part is made of steel. The magazine follower is also techno-polymer.

Before INSERTING A LOADED MAGAZINE, it is advisable to lock the slide in the open position by manually lifting the slide catch.

**WARNING:** Releasing the slide catch when a loaded magazine is in the pistol will feed a cartridge into the pistol's firing chamber. The pistol can then be fired.

**NOTICE:** The use of the magazine loader is recommended. Insert the loader from the top of the magazine (attachment ring pointing downwards) and engage the loader tab with the follower. **(Fig. 4 and 5)**

**NOTICE:** To optimize the functioning of the Practice Kit, Beretta recommends the use of High Velocity or Hyper Velocity ammunition.

## ASSEMBLY AND DISASSEMBLY

**NOTICE:** It is advisable to carry out the assembly and the field stripping operations over a table to catch components should they drop.

**CAUTION:** It is recommended to wear protective glasses when performing the assembly and the field stripping operations.

- Remove the magazine and the original slide and grip the pistol's frame (See instructions for disassembly in your original 92 pistol model's instruction manual).
- Assemble the Practice Kit (slide-barrel assembly with the recoil spring and recoil spring guide) by sliding it onto the slide rails of the frame and pulling it backwards until it stops.

**WARNING:** The recoil spring guide head should lodge in the center of its groove in the barrel base.

- Manually rotate the disassembly latch 90 degrees upward.

**WARNING:** When the slide and barrel assembly are placed back on the frame, the slide/barrel assembly should be pushed beyond the rear of the frame (or aligned with it) before the disassembly latch is rotated into its original position (with the disassembly latch lever parallel to the slide).

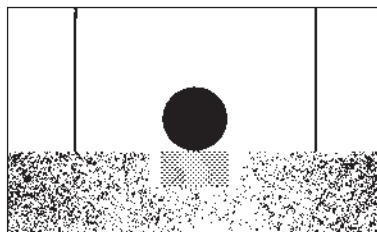
In order to disassemble the Practice Kit, please refer to your original 92 pistol model's instruction manual.

## HOW TO ADJUST THE REAR SIGHT (Fig. 6) (only for models supplied with adjustable sight)

**WARNING:** Make sure the pistol is unloaded. If not, unload it following the "UNLOADING THE PISTOL AND THE CARTRIDGE CHAMBER" procedure on your original 92 pistol model's instruction manual.

**WARNING:** Always point the firearm in a safe direction. Keep your finger away from the trigger and engage the manual safety.

Adjustment of rear sight is done aligning front and rear sight on the mark (See Fig. below).



To modify the rear sight adjustment, proceed as follows:

**ELEVATION:** To raise the point of impact on the target, turn the upper screw (UP) counter-clockwise using the sight tool supplied. Proceed one notch (click of the screw) at a time so that the finest adjustment is obtained. To lower the point of impact on the target, turn the upper screw clockwise.

**WINDAGE:** To move the point of impact on the target to the right, turn the side screw clockwise proceeding one notch at a time so that the finest adjustment is obtained. To move the point of impact on the target to the left, turn the side screw counter-clockwise.

## MAINTENANCE

Every day the pistol is fired or at least once a month, cleaning and lubricating is recommended.

### CLEANING AND LUBRICATING

**WARNING:** Excess oil and grease obstructing the bore, even partially, is very dangerous when firing and may cause barrel rupture and serious injury to the shooter and bystanders. Never spray or apply oil to the cartridges. Use lubricants properly. You are responsible for the proper care and maintenance of your firearm.

#### BARREL

- Spray the supplied brush with Beretta oil or a good grade gun oil. Insert the brush into the barrel from the chamber and scrub the chamber and bore thoroughly. If necessary, first clean the bore with a gun solvent.
- Dry the chamber and bore by pushing a cotton patch through the chamber and bore with the brush. Change the patch until it emerges clean.

**CAUTION:** Do not push the cleaning brush from the muzzle end toward the barrel if the barrel is still assembled on the pistol. Cleaning the barrel from the breech (chamber) end will avoid damaging the muzzle or bore.

- Clean the barrel guides and the frame rails with a soft patch soaked in a gun solvent.
- Lightly oil the inside of the barrel by passing through it a clean cotton patch soaked in Beretta oil or a good grade gun oil.
- Lightly oil the outside of the barrel, the barrel guides and the frame rails.

#### SLIDE

- Clean the slide with a patch and Beretta oil or a good grade gun oil, paying special attention to the breech face and extractor, slide rails and underside of the breech. If necessary, use the supplied brush. Wipe slide surfaces with a clean patch.
- Lightly oil the slide.

#### RECOIL SPRING AND SPRING GUIDE

- Lightly oil the recoil spring and spring guide with Beretta oil or a good grade gun oil. After long use it could be necessary to first scour these parts using the supplied brush.

## MAGAZINE

- Make sure the magazine is thoroughly clean and the follower slides easily downward if pressed.
- If necessary, lightly oil with Beretta oil or a good grade gun oil the internal walls of the magazine box.
- Run a dry patch through the box. Do not leave lubricant inside the magazine box.

**CAUTION:** Do not apply excess oil. Accumulation of oil attracts dirt and dust, which can interfere with the functioning and reliability of the firearm.

## DATA AND FEATURES

<b>Caliber:</b>	.22LR
<b>Operation:</b>	Semi-automatic
<b>Locking system:</b>	Blow-back
<b>Barrel length:</b>	130 mm/5.1 in.
<b>Rifling, Pitch:</b>	R.H. 6 grooves. Pitch: 406 mm/16 in.
<b>Front sight:</b>	Blade, integral with slide
<b>Rear sight:</b>	Fully adjustable. On request, notched bar, dovetailed to slide.
<b>Sight radius:</b>	172 mm/6.8 in.
<b>Safeties:</b>	Manual safety which lowers the hammer, when cocked. Automatic firing pin safety
<b>Slide:</b>	Light aluminum alloy
<b>Barrel:</b>	Steel
<b>Finish:</b>	Anodized oxydation on aluminum parts. Blueing on steel parts
<b>Magazine:</b>	External part in techno-polymer. Internal part in steel

## WARRANTY AND EXTENSION OF THE WARRANTY REPAIR PERIOD

The Warranty and extension of the Warranty repair period is packed with your new Beretta pistol. Please refer to the WARRANTY and the instructions given on it in case Warranty service is required.

**NOTICE:** Wholesalers, dealers or gunsmiths (unless they are a Repair Station authorized by the Manufacturer and/or by its Local Official Distributors) are not authorized to make any Warranty repair or adjustment on behalf of the Manufacturer.

**NOTICE:** The Warranty is effective only for the original retail purchaser of the firearm.





Fabbrica d'Armi Pietro Beretta S.p.A.  
Via Pietro Beretta, 18  
25063 GARDONE VAL TROMPIA (Brescia) Italia  
Tel. (030) 8341.1 - [info@beretta.com](mailto:info@beretta.com)  
[www.beretta.com](http://www.beretta.com)

