

 BERETTA

Serie 8000 Cougar



Manuale di Istruzione
Instruction Manual
Mode d'Emploi

Le illustrazioni e descrizioni di questo opuscolo si intendono fornite a titolo indicativo. La Casa si riserva pertanto il diritto di apportare ai suoi modelli, in qualsiasi momento e senza preavviso, quelle modifiche che ritenesse utili per migliorarli o per qualsiasi esigenza di carattere costruttivo e commerciale.

The illustrations and descriptions given in this brochure are intended as a general guide only, and must not be taken as binding. The Company, therefore, reserves the right to make, at any moment and without notice, any changes it thinks necessary to improve its models or to meet any requirements of manufacturing or commercial nature.

Les illustrations et les descriptions contenues dans ce prospectus ne sont données qu'à titre indicatif. La Maison se réserve le droit de modifier, à tout moment et sans préavis, ses modèles pour les améliorer ou pour n'importe quelle exigence de caractère constructif et commercial.



Fig. 6



Fig. 7



Fig. 8



Fig. 9



Fig. 10



Fig. 11



Fig. 12



Fig. 13



Fig. 14



Fig. 15

Illustrations on pages 3, 10 and 24

ALWAYS KEEP THIS MANUAL WITH YOUR FIREARM. INCLUDE IT WITH THE PISTOL WHEN IT CHANGES OWNERSHIP OR WHEN IT IS LOANED OR PRESENTED TO ANOTHER PERSON.

NOTICE: The Manufacturer and/or its Local Official Distributors assume no responsibility for product malfunction or for physical injury or property damage resulting in whole or in part from criminal or negligent use of the product, improper or careless handling, unauthorized modifications, use of defective, improper, hand-loaded, reloaded or remanufactured ammunition*, customer abuse or neglect of the product, or other influences beyond manufacturer's direct and immediate control.

* See paragraph "Ammunition".

WARNING: Always ensure that the safety is fully engaged until ready to fire. A safety is fully engaged only when the safety can move no further into the safe position. A safety which is not fully engaged will not prevent weapon discharge.

WARNING: ALL FIREARMS HAVE LETHAL POTENTIAL. READ THE BASIC SAFETY RULES CAREFULLY AND UNDERSTAND THEM FULLY BEFORE ATTEMPTING TO USE THIS FIREARM.

In addition to the Basic Safety Rules, there are other Safety Rules pertaining to the loading, unloading, disassembly, assembly and use of this firearm, located throughout this manual.

WARNING: READ THE ENTIRE MANUAL CAREFULLY BEFORE USING THIS FIREARM. MAKE SURE THAT ANY PERSON USING OR HAVING ACCESS TO THIS FIREARM READS AND UNDERSTANDS ALL OF THIS MANUAL PRIOR TO USE OR ACCESS.

WE RECOMMEND THE USE OF ORIGINAL BERETTA SPARE PARTS AND ACCESSORIES. THE USE OF OTHER MANUFACTURER'S SPARE PARTS AND ACCESSORIES COULD CAUSE MALFUNCTIONS AND/OR BREAKAGES THAT WILL NOT BE COVERED BY THE BERETTA WARRANTY.

CONTENTS

	Page
BASIC SAFETY RULES	6
DESCRIPTION	11
● CHARACTERISTICS	
● TECHNICAL DATA AND FEATURES	
● GENERAL OPERATION	
LOADING AND FIRING	15
● LOADING THE MAGAZINE	
● LOADING THE PISTOL AND THE CARTRIDGE CHAMBER	
● FIRING	
● UNLOADING THE PISTOL AND THE CARTRIDGE CHAMBER	
● UNLOADING THE MAGAZINE	
MAINTENANCE	18
● FIELD STRIPPING	
● CLEANING AND LUBRICATION	
● ASSEMBLY	
HOW TO REVERSE THE MAGAZINE RELEASE BUTTON	20
TROUBLESHOOTING	21
AMMUNITION	22

BASIC SAFETY RULES

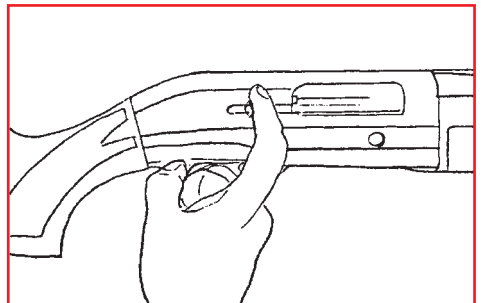
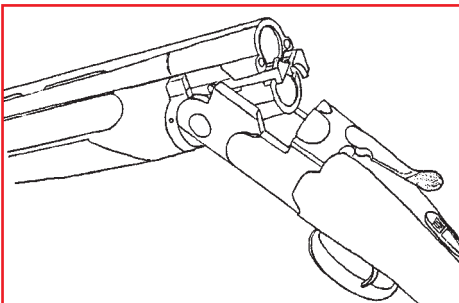
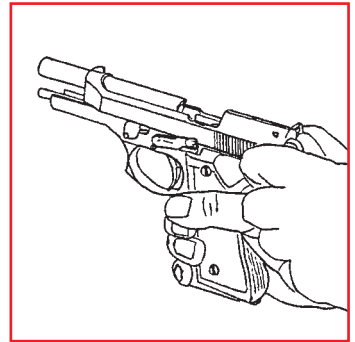
1. NEVER POINT A FIREARM AT SOMETHING THAT IS NOT SAFE TO SHOOT.

Never let the muzzle of a firearm point at any part of your body or at another person. This is especially important when loading or unloading the firearm. When you are shooting at a target, know what is behind it. Some bullets can travel over a mile. If you miss your target or if the bullet penetrates the target, it is your responsibility to ensure that the shot does not cause unintended injury or damage.



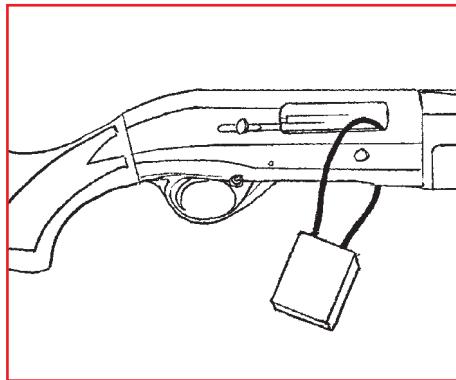
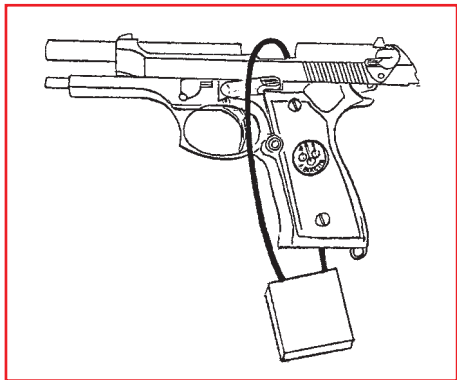
2. ALWAYS TREAT A FIREARM AS IF IT WERE LOADED.

Never assume that a firearm is unloaded. **The only certain way to ensure that a firearm is empty is to open the chamber and visually examine the inside to see if a round is present. Removing the magazine will not guarantee that a pistol is unloaded or cannot fire.** Shotguns and rifles can be checked by cycling or removing all rounds and by then opening the chamber so that a visual inspection of the chamber for any remaining rounds can be made.



3. STORE YOUR FIREARM SO THAT CHILDREN CANNOT GAIN ACCESS TO IT.

It is your responsibility to insure that children under the age of 18 or other unauthorized persons do not gain access to your firearm. **To reduce the risk of accidents involving children, unload your firearm, lock it and store the ammunition in a separate locked location.** Please note that devices intended to prevent accidents - for example, cable locks, chamber plugs, etc, - may not prevent use or misuse of your firearm by a determined person. Steel gun safes may be more appropriate to reduce the likelihood of intentional misuse of a firearm by an unauthorized child or person.



4. NEVER SHOOT AT WATER OR AT A HARD SURFACE.

Shooting at the surface of water or at a rock or other hard surface increases the chance of ricochets or fragmentation of the bullet or shot, which can result in the projectile striking an unintended or peripheral target.



5. KNOW THE SAFETY FEATURES OF THE FIREARM YOU ARE USING, BUT REMEMBER: SAFETY DEVICES ARE NOT A SUBSTITUTE FOR SAFE HANDLING PROCEDURES.

Never rely solely on a safety device to prevent an accident. It is imperative that you know and use the safety features of the particular firearm you are handling, but accidents can best be prevented by following the safe handling procedures described in these safety rules and elsewhere in the product manual. To further familiarize yourself with the proper use of this or other firearms, take a Firearms Safety Course taught by an expert in firearms use and safety procedures.

6. PROPERLY MAINTAIN YOUR FIREARM.

Store and carry your firearm so that dirt or lint does not accumulate in the working parts. Clean and oil your firearm, following the instructions provided in this manual, after each use to prevent corrosion, damage to the barrel or accumulation of impurities which can prevent use of the gun in an emergency. Always check the barrel prior to loading to ensure that it is clean and free from obstructions. **Firing against an obstruction can rupture the barrel and injure yourself or others nearby.** In case you hear an unusual noise when shooting, stop firing immediately, engage the manual safety and unload the firearm. Make sure the chamber is free from any obstruction or possible bullet blocked inside the barrel due to defective or improper ammunition.



7. USE PROPER AMMUNITION.

Only use factory-loaded, new ammunition manufactured to industry specifications: CIP (Europe and elsewhere), SAAMI (U.S.A.). Be certain that each round you use is in the proper caliber or gauge and type for the particular firearm. The caliber or gauge of the firearm is clearly marked on the barrels of shotguns and on the slide or barrel of pistols. The use of reloaded or remanufactured ammunition can increase the likelihood of excessive cartridge pressures, casehead ruptures or other defects in the ammunition which can cause damage to your firearm and injury to yourself or others nearby.

8. ALWAYS WEAR PROTECTIVE GLASSES AND EARPLUGS WHEN SHOOTING.

The chance that gas, gunpowder or metal fragments will blow back and injure a shooter who is firing a gun is rare, but the injury that can be sustained in such circumstances is severe, including the possible loss of eyesight. A shooter must always wear impact resistant shooting glasses when firing any firearm. Earplugs help reduce the chance of hearing damage from shooting.



9. NEVER CLIMB A TREE, FENCE OR OBSTRUCTION WITH A LOADED FIREARM.

Open and empty the chamber of your firearm before climbing or descending a tree or before climbing a fence or jumping over a ditch or obstruction. Never pull or push a loaded firearm toward yourself or another person.



10. AVOID ALCOHOLIC BEVERAGES OR JUDGMENT OR REFLEX IMPAIRING MEDICATION WHEN SHOOTING.

Do not drink and shoot. If you take medication that can impair motor reactions or judgment, do not handle a firearm while you are under the influence of the medication.



11. NEVER TRANSPORT A LOADED FIREARM.

Unload a firearm before putting it in a vehicle. Hunters and target shooters should load their firearm only at their destination. If you carry a firearm for self-protection, leaving the chamber unloaded can reduce the chance of accidental discharge.



12. LEAD WARNING.

Discharging firearms in poorly ventilated areas, cleaning firearms, or handling ammunition may result in exposure to lead and other substances known to cause birth defects, reproductive harm, and other serious physical injury. Have adequate ventilation at all times. Wash hands thoroughly after exposure.

Mod. F

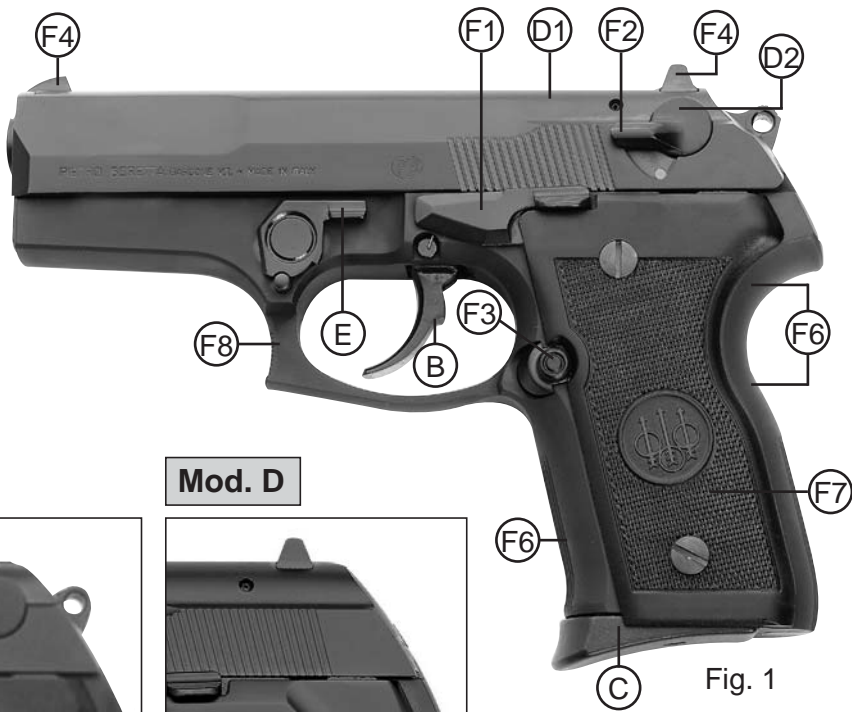


Fig. 1

Mod. G



Fig. 4

Mod. D



Fig. 5



Fig. 3



Fig. 2

Mod. F

DESCRIPTION

Beretta Cougar semi-automatic pistols, available in many high-power calibers, use a brilliant adaptation of a proven locked-breech system with rotating barrel. The compact dimensions make the Beretta Cougar pistols easy to conceal and operate.

CHARACTERISTICS

A. THE LOCKING SYSTEM

Fig. 2

The Cougar series pistols employ a short recoil locked-breech system, simple and practical, based on the secure lock of the slide to the barrel. The barrel locking and unlocking rotation is caused by its axial movement through the double cam acting on the central block tooth.

This locking system has required a closed-slide design thus breaking the tradition of the open-slide design going back to the early Beretta semi-automatic pistols.

B. THE DOUBLE ACTION

Fig. 1

Also considered a safety feature during emergency use of a pistol, the double action trigger pull both cocks and drops the hammer in the same motion. This allows immediate firing of the weapon without requiring that the hammer be independently manipulated. Double action trigger pull is considered a safety feature because it allows the user to attempt to refire a non-firing cartridge simply by pulling the trigger a second time, rather than having to unload the non-firing round before the pistol can be used again. The length of trigger pull also helps reduce the likelihood of unintentional discharge.

C. THE GREAT FIRE CAPACITY

Fig. 3

The staggered magazine, of the same length as a traditional single line magazine, allows greater fire capacity (see technical data on page 34).

WARNING: In order to permit the use of the 8000 series pistol in emergency situations, even in the case of involuntary dropping or loss of the magazine, these models are NOT provided with a magazine safety. They are therefore capable of firing, if a round is chambered, even if the magazine has not been inserted or if it has been removed or if it has been dislodged from its seat.

D. THE COMPLETE SAFETY SYSTEM

Fig. 1

D1. Automatic firing pin safety: when the trigger is not pulled completely back, a blocking device secures the firing pin and prevents it from moving forward, even if the weapon should fall from a height and strike the ground muzzle-down.

D2. Manual safety-decocking lever (F Models): allows safe hammer lowering over a chambered round. The safety rotation interrupts and shields the firing pin unit from hammer strike. With the safety ON, the linkage between trigger and sear is disconnected. (It is not present on D models, double action only. The G Models feature a manual decocking lever only).

D3. Slide overtravel stop. The hammer pin head has been enlarged to enter a matching groove cut into the slide rail to stop slide breech recoil overtravel.

E. THE GREAT SIMPLICITY OF FIELD STRIPPING

Fig. 1, 2

The disassembly device is designed to allow an extremely quick and simple field stripping of the pistol and yet avoid casual or involuntary disassembly.

F. THE FUNCTIONAL AND ANATOMICAL FEATURES

Fig. 1, 2

F1. Slide catch: when the last round has been fired, the slide locks open, signalling that the magazine is empty.

F2. Ambidextrous safety decocking lever: (not present on D models, double action only). Allows easier and quicker handling by left and right-handed shooters.

F3. Reversible magazine release button: it can easily be assembled on the right side of the pistol for left handed shooters.

F4. Special sights: front and rear sights are designed for swift target acquisition. To aid sighting under low light conditions, the sights are equipped with white dots. Both sights are removable and replaceable.

F5. Compact size: the Cougar dimensions, particularly reduced in length, make these high-power pistols easy to conceal and operate.

F6. Anatomical handle: the newly designed ergonomically contoured handle better accomodates and protects the hand, facilitating, at the same time, the correct grip of the pistol also under conditions of rapid, fire. The front and back straps of the grip guarantee a firm hold even with wet hands.

F7. Checkered grips: they ensure a better hold and give to the pistol a touch of elegance. Walnut checkered grips are available on request.

F8. Combat trigger-guard: the trigger-guard is shaped and grooved to allow a functional rest of the index finger when shooting with two hand hold.

G. SPECIAL MODELS

Fig. 4, 5

G MODELS

The G models feature a manual decocking lever only instead of the safety-decocking lever of the Cougar F. When the decocking lever is released, it automatically returns to the ready to fire position. There is no manual safety (Fig. 4).

D MODELS

The D models are “double action only” pistols: the hammer always follows the slide forward to come to rest in the double action position (the hammer never stays cocked). The manual safety and the decocking levers have been eliminated. The hammer spur has been removed, and is flush with the rear of the slide (Fig. 5).

L MODELS

These pistols are available in F and D version only and they feature a more compact design, a bevelled and lighter slide. The new L type P version retains the same grip and the 15-round magazine capacity as the original model meanwhile the standard version features a shorter grip and a fire capacity of 14* rounds (13+1).

MINI COUGAR MODELS

Shorter in the grip and lighter, the Mini Cougar pistol is even more compact than the full size Cougar. Yet it has all of the same performance and safety features of the standard version.

INOX VERSIONS

Some models are available in the Inox version featuring the following parts made in stainless steel:

The barrel, the slide (including the extractor and the safety levers if present), the trigger, the slide stop lever, the disassembly latch (button included), the magazine release assembly and the trigger bar.

The light alloy frame and the other aluminum alloy parts are sand-blasted and anodized grey.

The sights, the hammer, the grip screws and the magazine bottom are mat black finished.

TECHNICAL DATA

COUGAR MODELS	8000(**)	8000L	8000L type P	8357	8040(**)	8045(**)
Caliber	9mmx19 9mmx21	9mmx19 9mmx21	9mmx19 9mmx21	.357 SIG	.40 S&W	.45 ACP
Overall Length - mm/in	180/7 (179/7)	180/7	180/7	180/7	180/7 (179/7)	183/7.2 (182/7.2)
Barrel Length - mm/in	92/3.6 (92/3.6)	92/3.6	92/3.6	92/3.6	92/3.6 (92/3.6)	94/3.7 (94/3.7)
Sight Radius - mm/in	132/5.2 (132/5.2)	132/5.2	132/5.2	132/5.2	132/5.2 (132/5.2)	135/5.3 (135/5.3)
Overall Height - mm/in	140/5.5 (115/4.5)	126/5	140/5.5	140/5.5	140/5.5 (115/4.5)	142/5.6 (122/4.8)
Overall Width - mm/in	38/1.5 (38/1.5)	32/1.2	32/1.2	38/1.5	38/1.5 (38/1.5)	38/1.5 (38/1.5)
Magazine Capacity rounds(*)	15* (10/15*)	13*	15*	11*	11* (8/11*)	8 (6/8)
Weight Unloaded gr./oz.-approx.	925/32.6 (785/27.7)	800/28.2	850/30	920/32.4	920/32.4 (780/27.5)	905/31.9 (865/30.5)

(*) Commercial Cougar pistols sold in the US market are supplied with 10-round magazines in accordance with US Federal Guidelines for Commercial Sale.

(**) The data between brackets refer to the Mini Cougar models.

FEATURES

Operation:	Semi-automatic, short recoil of barrel.
Locking System:	Locked breech with rotating barrel.
Action:	Double and single action. D models: double action only.
Hammer:	Exposed. D models: without spur.
Rifling, Pitch:	R.H., 6 grooves. Pitch: Caliber 9mmx19 (9 mm Parabellum) and 9mmx21IMI: 250 mm (9.8 in.). Caliber .40 S&W: 400 mm (15.7 in.).
Sights:	Caliber .45 ACP and .357 SIG: 406 mm (16 in.). Front and rear sights dovetailed to slide. Interchangeable 3 white dot system.
Safeties:	All models: Automatic firing pin blocking device. F models: manual safety-decocking lever with rotating firing pin striker, trigger bar disconnect. G models: decocking lever, rotating firing pin striker without manual safety. D models: without manual safety.
Frame:	Light alloy sand-blasted and anodized black. Inox models: sand-blasted and anodized grey.
Slide:	Steel, sand-blasted, phosphatized and Bruniton® coated. Inox models: stainless steel, sand-blasted.
Barrel:	Steel, sand-blasted and blued. Chrome plated bore and chamber. Inox models: stainless steel, sand-blasted.
Grips:	Plastic, checkered. On request, checkered walnut grips. Inox models: checkered walnut grips.
Special Features:	All models are equipped with spare magazine, cleaning rod, ABS case.

GENERAL OPERATION

Beretta Cougar semi-automatic pistols use a short recoil locked-breech system with rotating barrel.

When the pistol is fired, the recoil energy pushes the slide-barrel assembly backward. After a short run of barrel-slide assembly, the barrel is revolved by cam action against the central block tooth.

When the barrel has turned about 30 degrees, the barrel locking lugs clear the locking recesses on the slide.

The barrel then stops against the central block while the slide continues its rearward travel extracting and ejecting the fired cartridge case through the ejection port, rotating the hammer and activating the recoil spring.


Pushed by the recoil spring, the slide then moves forward, feeding the next cartridge from the magazine into the chamber, causing the barrel rotation by cam action against the central block tooth and barrel-to-slide locking. The slide is designed to stay open after the last cartridge has been fired and the spent shell casing has been ejected.

CAUTION: Some models are equipped with hammer half-cock position. It is not recommended to carry the hammer half-cocked. This device is intended to prevent accidental discharge should the hammer drop.

NOTICE: The figure numbers noted below refer to the photographs on pages 3, 30 and 66.

LOADING AND FIRING

WARNING: Before loading the firearm, practice the following loading procedures without the use of ammunition. Never handle a loaded firearm until you are fully familiar with the loading procedures. Always point the firearm in a safe direction. (See points 1, 2 and 4 of the BASIC SAFETY RULES).

WARNING: Always keep your finger away from the trigger whenever you do not intend to fire. Make sure the pistol is not already loaded by inspecting the cartridge chamber as follows: remove the magazine from the pistol by depressing the magazine release button (Fig. 7). Keeping your finger away from the trigger, grasp the slide serrations with thumb and index fingers and retract the slide 2 centimeters (approx. one inch) to verify that the chamber is empty (Fig. 6). Lower the hammer by engaging the manual safety-decocking lever  (if present) (Fig. 9).


LOADING THE MAGAZINE

- To load the magazine remove it from the pistol by depressing the magazine release button (Fig. 7).
- Hold the magazine in the left hand. With your right hand place a cartridge on the follower in front of the lips, press down and slide the cartridge completely back under the lips (Fig. 8).
- Repeat until the magazine is fully loaded. Holes on the back or on sides of the magazine allow for visual counting of cartridges (Fig. 3).

Do not try to force more than the maximum indicated rounds into the magazine.

LOADING THE PISTOL AND THE CARTRIDGE CHAMBER

WARNING: Always keep your finger away from the trigger whenever you do not intend to fire.

- Engage the manual safety , if present, by pushing the safety-decocking lever down all the way, so as to cover the red warning dot (Fig. 9). This safety lever rotation separates the firing pin from the hammer, lowers the hammer if cocked and interrupts the connection between trigger and sear.

NOTICE: Pistols model “G” and “D” have no manual safety. The “G” models have a decocking lever only which, when released, returns to the ready to fire position.

- Push the loaded magazine into the pistol grip completely to insure catch engagement.

WARNING: In order to permit the use of the pistol in emergency situations, even in the case of involuntary dropping or loss of the magazine, these models are NOT provided with a magazine safety. They are therefore capable of firing, if a round is chambered, even if the magazine has not been inserted or if it has been removed or if it has been dislodged from its seat.

- Grasping the slide serrations with thumb and index finger, fully retract and release the slide (Fig. 10) to load the chamber.

WARNING: THE PISTOL IS NOW CHAMBER LOADED, DECOCKED ("G" models are cocked), MANUAL SAFETY ENGAGED (if present). Always keep your finger away from the trigger whenever you do not intend to fire.

WARNING: MODELS "G" ARE NOW CHAMBER LOADED AND COCKED. Lower the hammer rotating the decocking lever downward.

NOTICE: The manufacturer assumes no responsibility for any injury or property damage resulting from improper or careless handling, intentional or accidental discharge of the firearm.

NOTICE: All Beretta Cougar pistols described in this manual are equipped with an Automatic Safety (D), which prevents firing pin inertia breech protrusion. This safety is overcome only by trigger pull (Fig. 11).

To replace the round which has been chambered from the magazine:

- Remove the magazine from the pistol by depressing the magazine release button.
- Insert one more cartridge into the magazine.
- Push the loaded magazine into the pistol grip completely to insure catch engagement.

WARNING: REMEMBER THAT YOU ARE HANDLING A LOADED FIREARM, WITH A LIVE ROUND IN THE CHAMBER. Keep your finger away from the trigger whenever you do not intend to fire.

FIRING

WARNING: ALWAYS WEAR PROTECTIVE GLASSES AND EARPLUGS WHEN SHOOTING (See point 8 of the BASIC SAFETY RULES).

WHEN READY TO FIRE:

- Release the manual safety (if present) by simply rotating the manual safety lever with a fully upward thumb pressure. The red warning dot can be seen when the manual safety is disengaged.
- Aim the pistol and align front and rear sight on target.
- Fire by squeezing the trigger.

NOTICE: If the hammer is uncocked, the pull on the trigger will first cock the hammer and then release it. This firing mode is called DOUBLE ACTION.

The discharge generates the semi-automatic working cycle as described in the GENERAL OPERATION chapter.

WARNING: THE PISTOL IS NOW CHAMBER LOADED, COCKED AND READY TO FIRE AGAIN. Keep your finger away from the trigger whenever you do not intend to fire.

- Squeeze the trigger to fire again.

NOTICE: If the hammer is cocked, the pull on the trigger simply releases the hammer. This firing mode is called SINGLE ACTION. After the first shot the pistol will always fire in the single action mode.

- If the hammer is fully-lowered, the safety OFF, and you want to fire the first shot by the single action mode, manually retract the hammer to its fully-cocked position. WHEN READY TO FIRE, squeeze the trigger.

NOTICE: Pistols model D are designed to fire in the DOUBLE ACTION mode only. The hammer never stays cocked thus following the slide forward to come to rest in the uncocked position.

- When the last round has been fired the slide remains open (Fig. 12).
- To fire again remove the empty magazine and insert a loaded one.
- Press the slide catch, to close the slide and to load the chamber (Fig. 13).

WARNING: THE PISTOL IS NOW CHAMBER LOADED, COCKED AND READY TO FIRE AGAIN. Keep your finger away from the trigger whenever you do not intend to fire, engage the manual safety (if present) and/or lower the hammer rotating downward the decocking lever.

UNLOADING THE PISTOL AND THE CARTRIDGE CHAMBER

WARNING: Keep your finger away from the trigger.

- Engage the manual safety (fully down; red dot covered), if present and/or lower the hammer, if cocked, by rotating the decocking lever downwards.
- Depress the magazine release button to remove the magazine from the pistol.
- Grasping the slide serrations with thumb and index finger, fully retract the slide to remove the chambered cartridge.
- WHEN SURE THAT THE CHAMBER IS EMPTY AND THE CARTRIDGE HAS BEEN EJECTED, release the slide.
- **Model G pistols only:** lower the hammer rotating the decocking lever downward.

UNLOADING THE MAGAZINE

- To unload the magazine, grasp it with one hand around the magazine box, bottom down and front end forward. With the tip of the thumb firmly press down on the cartridge rim and push towards the front of magazine box. As the cartridge moves forward, tip it slightly upward with the index finger.
- Repeat until the magazine is unloaded.

MAINTENANCE

Every time the pistol is fired or at least once a month, cleaning and lubricating is recommended.

FIELD STRIPPING

WARNING: Make sure the pistol is unloaded. If not, unload it following the “UNLOADING THE PISTOL” procedure.

NOTICE: It is advisable to carry out the field stripping and the assembly operations over a table to catch components should they drop.

- Remove magazine by depressing magazine release button.
- Hold pistol in the right hand; with left forefinger press disassembly latch release button and with left thumb rotate disassembly latch 45° downward (Fig. 14).
- Pull the slide-barrel assembly with central block, recoil spring and spring guide forwards. (Fig. 15). In case the hammer is in the half-cocked position, cock it in order to facilitate forward travel of slide barrel assembly.
- Pull out the recoil spring with guide from the central block (Fig. 16).
- Take out the barrel from slide, rotating the barrel itself (counter clockwise looking at it from the rear) (Fig. 17).

CAUTION: No further disassembly is recommended unless done by a competent gunsmith.

CLEANING AND LUBRICATION

WARNING: Excess oil and grease obstructing the bore even partially are very dangerous when firing and may cause damages to the pistol and serious injury to the shooter and bystanders. Never spray or apply oil to the cartridges. Use lubricants properly: you are responsible for the proper care and maintenance of your firearm.

MAGAZINE

- Make sure the magazine is thoroughly clean and the follower slides easily downward if pressed.
- If necessary, lightly oil (using Beretta or a good grade gun oil) the internal and external walls of the magazine box.

- If the pistol is carried with the magazine loaded, it is important to periodically unload all magazines for cartridge inspection.

BARREL

- Spray the supplied brush with a good grade gun oil. Insert the brush into the barrel from the chamber and scrub the chamber and bore thoroughly.
- Dry chamber and bore by pushing a cotton patch through the chamber and bore with the brush. Keep changing the patch until it emerges clean.
- Clean the barrel double cam and locking lugs with a cloth soaked in gun oil. If necessary, use the supplied brush.
- Lightly oil the inside and outside of the barrel, passing through it a clean cotton patch soaked in gun oil. Lightly oil the barrel double cam and locking lugs.

CENTRAL BLOCK

- Clean the central block, with a cloth soaked in gun oil, paying special attention to the block tooth and to the recoil spring and guide hole. Dry the parts carefully with a clean cloth.
- Lightly oil the central block.

RECOIL SPRING AND SPRING GUIDE

- Lightly oil the recoil spring and spring guide. After long use it could be necessary to first clean these parts using the supplied brush and a good grade gun oil.

SLIDE

- Clean the slide with a cloth soaked in gun oil, paying special attention to the breech face and extractor, to the slide rails and locking recesses. If necessary, use the supplied brush. Dry the parts carefully with a clean cloth.
- Lightly oil the slide with gun oil.

FRAME

- With oil soaked rag, clean all areas covered by gun powder residues and field dirt. Pay special attention to hammer area, ejector, central block seat and slide rails. If necessary, use the supplied brush.
- Dry the parts carefully and lightly lubricate slide rails and the moving parts.

CAUTION: Do not apply excess oil: accumulation of oil attracts dirt which can plug the barrel and interfere with the functioning and reliability of the pistol.

NOTICE: There are numerous Beretta special parts and accessories that allow the personalization of your pistol. To request this extensive line of parts and accessories, please contact your local Beretta dealer.

ASSEMBLY

Assemble following the Field Stripping procedure in reverse order. It is advisable to pay attention to the following points:

- The central block should be assembled with its thinner barrel bearing surface towards the muzzle (the marked arrow pointing towards the muzzle).
- The recoil spring guide and the spring should be assembled with its flat head towards the muzzle and inserted in the opposite hole of the slide.

The following assembly procedure is suggested:

- Keeping the slide in the left hand, sights down, using the right hand insert the barrel, double cam upward, into the slide tilting it slightly at first (Fig. 18).
- Push the barrel against the slide head rotating it axially in a way that the locking lugs lodge in the recesses of the slide (Fig. 19).
- Place the central block (with recoil spring guide and spring) on the barrel so that the tooth engages the double cam of the barrel and keep the central block pushed rearward with the thumb of the left hand (Fig. 20).
- Slide the spring guide towards the muzzle to engage its head in the seat of the slide (Fig. 21).
- Keeping the central block and the recoil spring with guide in position with the thumb of the left hand, rotate axially 180° the group and reinsert the frame guides in the slide rails (Fig. 22).
- Push the slide about 5 mm beyond the rear end of frame forcing the recoil spring to compress (Fig. 23) and with the thumb of the left hand rotate 45° counter clockwise the disassembly latch until it clicks into the locked position (Fig. 24).

WARNING: Do not store firearms in places which are or could be accessible by children or other persons whose unfamiliarity with firearms might lead to unsafe use. Always store your firearms securely and unloaded, separate from ammunition. (See point 3 of the BASIC SAFETY RULES).

HOW TO REVERSE THE MAGAZINE RELEASE BUTTON FOR LEFT-HANDED SHOOTERS

WARNING: Make sure the pistol is unloaded. If not, unload it following the «UNLOADING THE PISTOL» procedure.

NOTICE: These operations should be carried out by a gunsmith.

For Cougar pistols with rounded magazine release button:

- With a suitable screwdriver unscrew and remove the grips.
- Press the back (flat side) of the magazine release button down and away. The magazine release assembly will then drop out.
- Reverse the magazine release assembly and insert the button (grooved side) in position tilting it slightly.
- Holding the button (grooved side) of the magazine release assembly firmly in place, press its flat side and push it until it clicks into place. The operation is done correctly when the magazine slides easily into its housing.
- Replace grips with screws.

For Cougar pistols with oval magazine release button:

- With a suitable screwdriver unscrew and remove the grips. Be careful not to lose the grip lock washers.
- With a suitable pin driver and hammer push the retaining spring pin out of magazine release button. Be careful not to lose the pin itself and the spring which is under light tension.
- Take the magazine release latch out of the frame, reverse and reassemble it in place.
- Reassemble the magazine release button spring and reassemble the button on the magazine latch shank so that the spring enters in the button hole.
- Slightly push the magazine release button until its hole is centered on the magazine latch shank hole and replace the button spring pin using a suitable pin guide and a hammer.
- Replace grip with screws.

TROUBLESHOOTING

MALFUNCTION	PROBABLE CAUSE	REMEDY
Mis-introduction of a cartridge into the chamber	Warped or defective cartridge	Inspect and replace cartridge
Mis-fire	Defective cartridge	Keep pistol muzzle in a safe direction and pull the trigger once more or replace cartridge
Mis-extraction or defective extraction	Dirty cartridge chamber	Clean and lubricate cartridge chamber
	Defective or dirty ammunition	Replace or clean cartridges
	Dirt under the extractor	Clean the extractor housing

CAUTION: No one should attempt to make recommended repairs without proper knowledge or training.

NOTICE: Wholesalers, dealers or gunsmiths (unless they are a Repair Station authorized by the Manufacturer and/or by its Local Official Distributors) are not authorized to make any Warranty repair or adjustment on behalf of the Manufacturer.

AMMUNITION

Using good quality ammunition combined with preventive maintenance will make the pistol perform flawlessly through years of service. To prevent malfunctioning always visually inspect each cartridge for external damage before loading.

The pistol is designed and tested to withstand continued shooting with all brands and types of commercial ammunition manufactured to standard (C.I.P., S.A.A.M.I., etc.) specifications.

We do not recommend extended use of +P, +P+ or submachine gun ammunition because the chamber pressure may reach or exceed proof load pressure decreasing the major components service life expectancy.

The warranty does not cover the use of reloaded and/or hand loaded ammunition.

- CAUTION:**
- Make sure the bullets are of the right caliber size according to international specifications (C.I.P., S.A.A.M.I., etc.).
 - Lead bullets have a tendency to cause bore leading which may dramatically increase the discharge pressure.
 - Make sure to remove all chamber and bore lead accumulation after each shooting.
 - DO NOT ever shoot cartridges with jacketed bullets through a barrel previously fired with lead bullets before the bore is thoroughly delead.

WARNING: DRY FIRING

If you want to practice shooting your pistol without using live ammunition (called “dry firing”), insert an appropriate “snap cap” into the chamber to cushion the fall of the firing pin and reduce the chance of firing pin breakage. “Snap cap” cartridges with spring loaded “primers” are ideal.

“DUMMY” cartridges with empty primer pockets are good for loading/unloading practice but DO NOT protect the firing pin during dry firing.

NOTES:

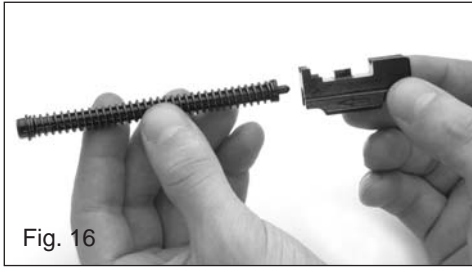


Fig. 16



Fig. 17



Fig. 18

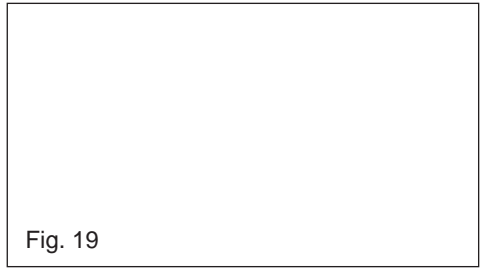


Fig. 19



Fig. 20



Fig. 21



Fig. 22



Fig. 23



Fig. 24



Fabbrica d'Armi Pietro Beretta S.p.A.
Via Pietro Beretta, 18
25063 GARDONE VAL TROMPIA (Brescia) Italia
Tel. (030) 8341.1
www.beretta.com